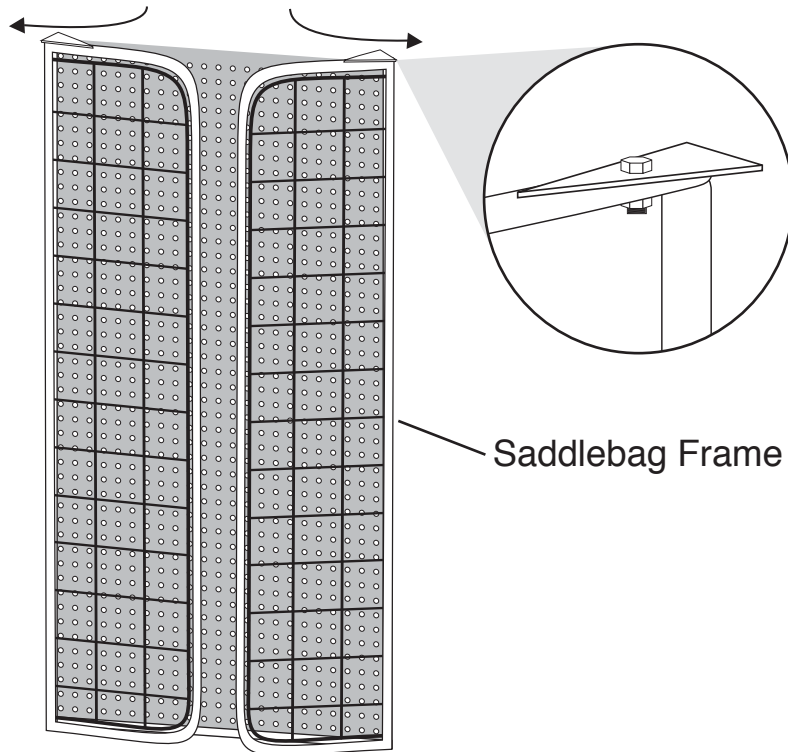
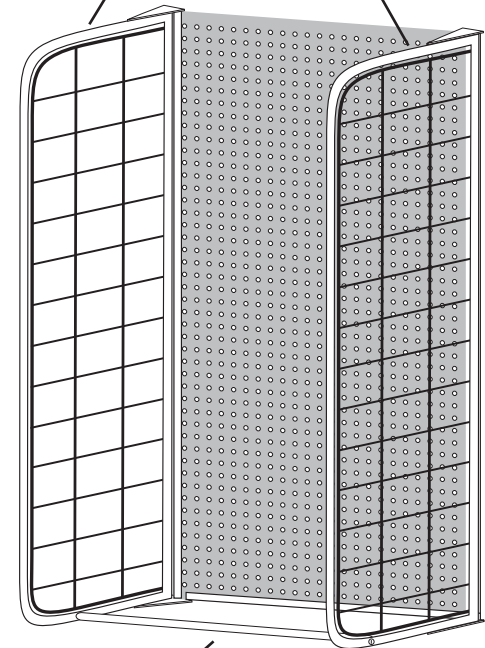


Side guards pivot outward

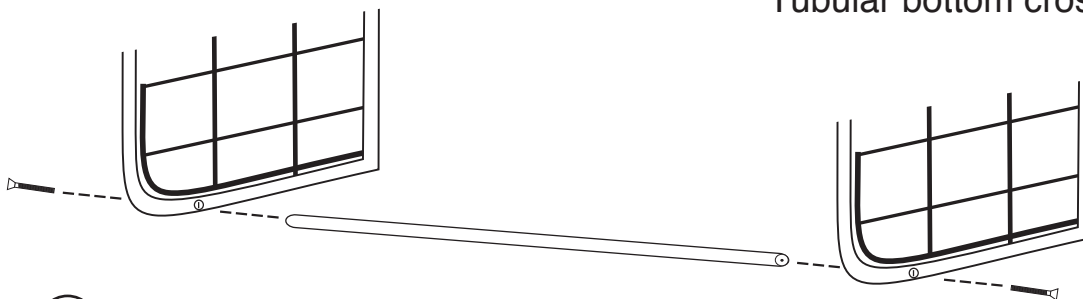


Side guards in outward position



Unpack box and locate back unit with tubular sides.

Tubular bottom cross bar

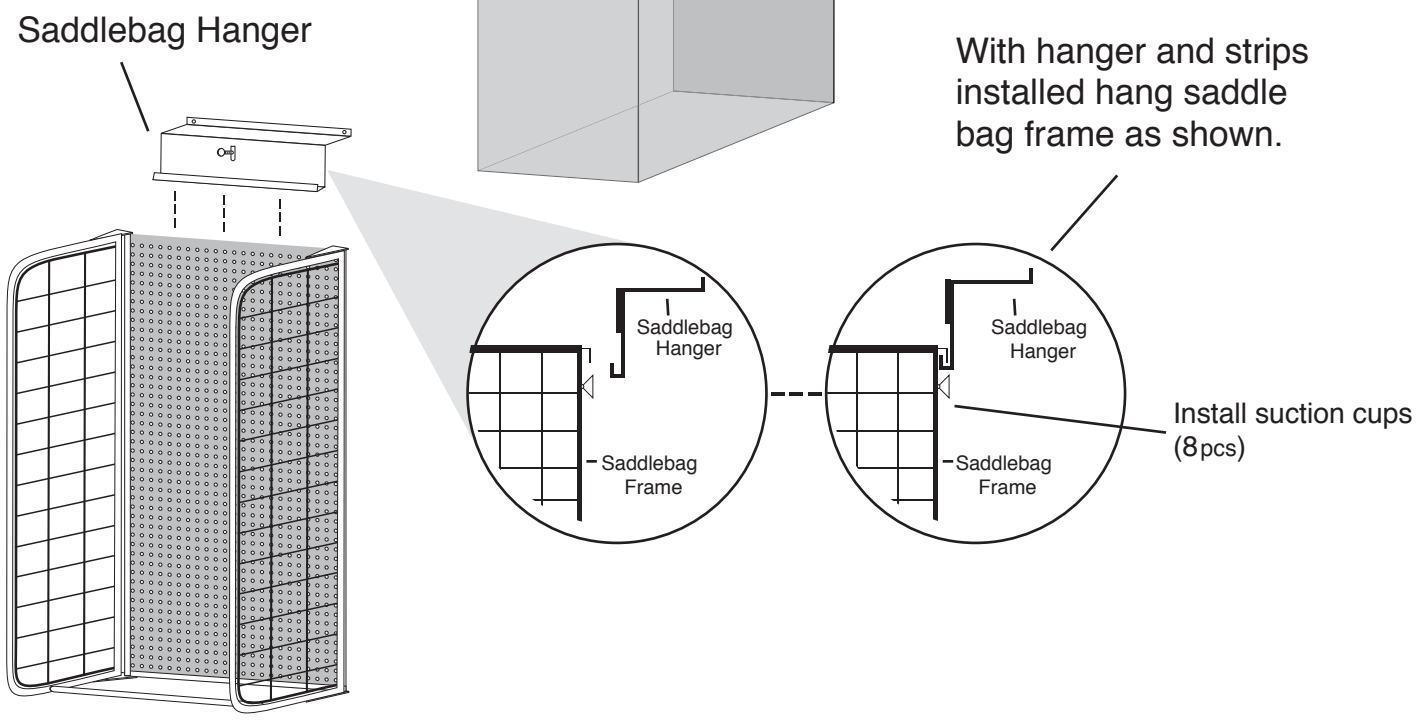
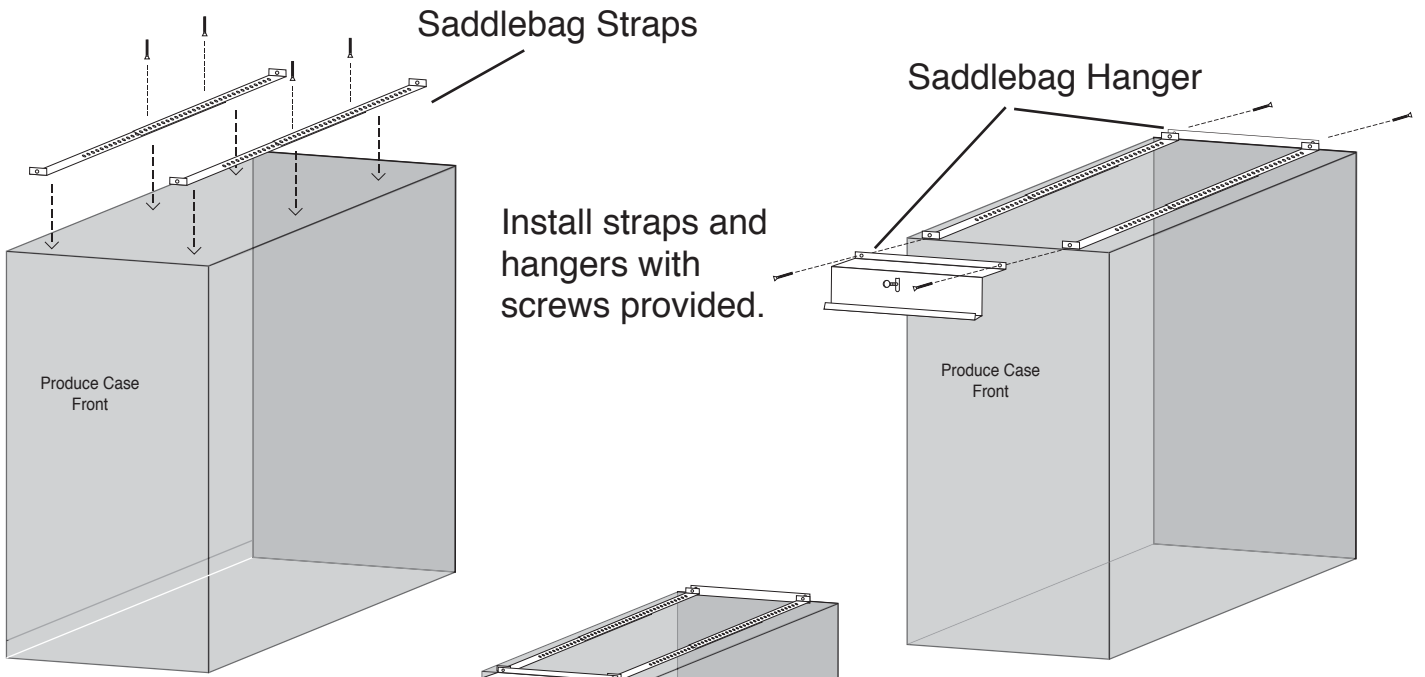


1

- Locate the bottom tubular bar.
- With a phillips head screw driver take 1 screw and place thru hole from outside to end of tubular bottom cross bar.
- Tighten screw.

20190522

2

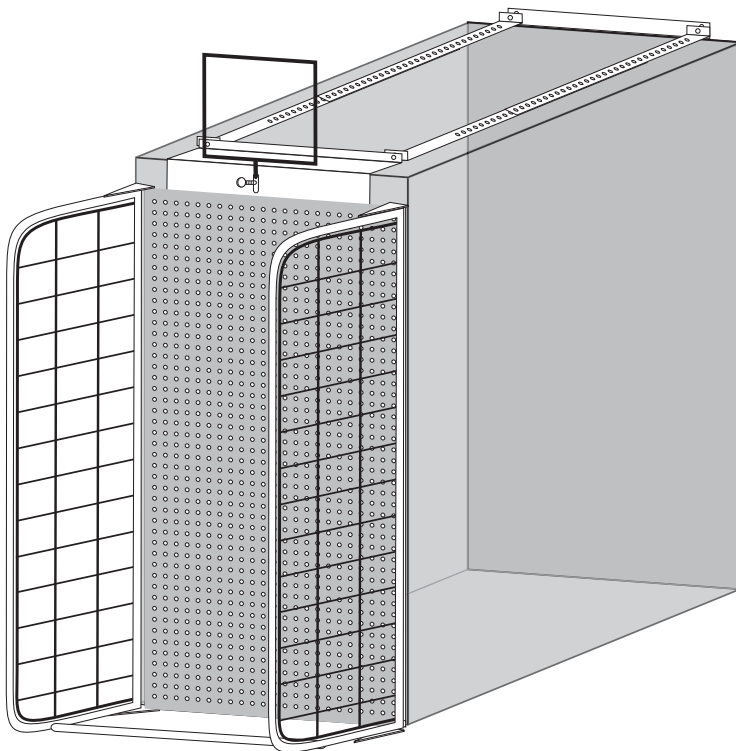
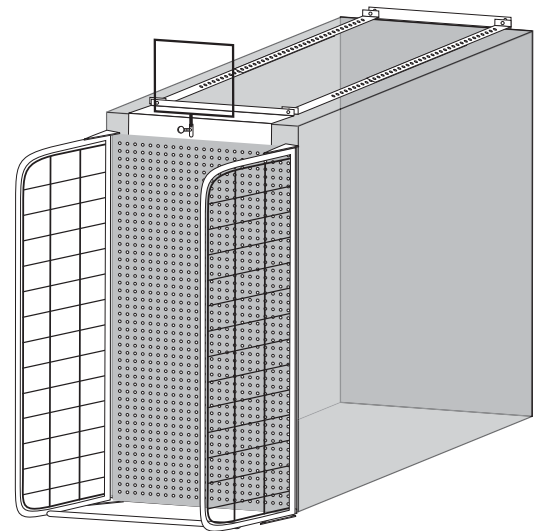
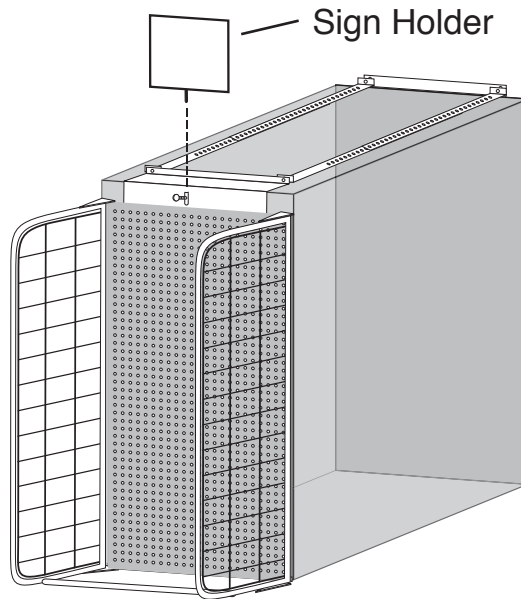


20190522

For more information,  
call **800.422.2547**  
visit **www.siffron.com**

**siffron**<sup>TM</sup>  
always on

- 3** Install sign holder on hanger.



- 4** Once saddlebag frame is set onto hanger add shelving units as shown in the photo.



In-store photo

20190522